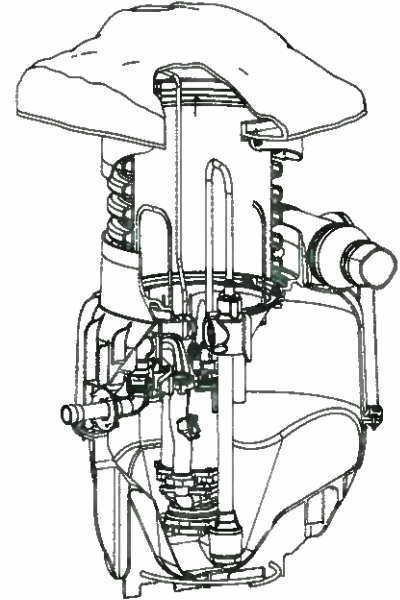


**Specifications:**

inches  
(mm)

<b>BASIN</b> .....	Engineered Polypropylene Copolymer, 2-piece construction, factory assembled with preformed corrosion resistant rebar installed. Includes POD for pump support and orientation
<b>RISER</b> .....	HDPE 18" Dia. (457mm) corrugated drainpipe, day-of-installation adjustment sets basin depth [limit 9ft. 6inches (2.9m) to bottom of basin]
<b>DISCHARGE OUTLET</b> .....	1-1/4" NPT Flexible, stainless steel. Connects to a basin mounted bronze tank receiver.
<b>INLET</b> .....	3 positions, 4" (Sch 40/80 or SDR35) Flexible Inlet Flange (For Field Installation)
<b>COVER</b> .....	Rock-Shaped Polyethylene Cover, interlocking with Riser Adapter, vented or unvented. Keyed lock included. Load rating of 150 lb per sq ft.
<b>ALARM BOX</b> .....	Model 1500 Alarm Panel, NEMA 4X Non-metallic Enclosure with Keyed Lock, Alarm Light, Alarm Horn w/Push Button, Pump and Alarm Circuit Breakers
<b>DIRECT BURIAL CABLE</b> ....	12/5 Type TC, STOOV Round U.L. Listed. 30ft (9m) length standard
<b>MOVEABLE DISCHARGE FITTING w/ CHECK VALVE:</b> (Removed with Pump)	
<i>Housing</i> .....	Powder Coated Cast Iron
<i>Diaphragm</i> .....	Fiber Reinforced Neoprene
<i>Flapper</i> .....	Fiber Reinforced Nitrile
<i>Size</i> .....	1-1/4" Full Port
<i>Valve Seat</i> .....	Bronze
<b>BALL VALVE:</b> .....	Toggle actuated via polypropylene harness from top side, removable without basin entry
<i>Material</i> .....	Bronze, with Stainless Steel ball & stem, and Teflon seats
<i>Size</i> .....	1-1/4" Full Port
<b>LIFTING HARNESS</b> .....	1/8" x 3/4" Polypropylene (POD). 1/2" Dia. Polypropylene (PUMP) Breaking strength 3750 lbs.
<b>HARDWARE</b> .....	300 Series Stainless Steel
<b>LEVEL CONTROL</b> .....	ESPS™ – Environmentally sealed pressure switch with CPVC housing, Nitrile diaphragm, Custom molded quick connect for sealing and strain relief.
<b>ANTI-SIPHON</b> .....	Integral to cast iron motor housing.
<i>Flapper</i> .....	Fiber Reinforced Nitrile
<i>Seat</i> .....	Valox with stainless steel rivet
<b>PUMP</b> .....	OGP2022CE (Std), 240 Volt, 1 Phase
<b>OPTIONS</b> .....	Direct Burial Cable lengths, Rock Cover Vented or Flood Plain, Depth, OGVF2022CE Pump, Model 1550 Alarm Panel w/Generator Receptacle



**EcoTRAN™ System**

For use with OGP and OGV pumps, 1/4" NPT

- Vented 52"-74" Depth
- Vented 76"-114" Depth
- Flood Plain 52"-74" Depth
- Flood Plain 76"-114" Depth

This product may be covered by one or more of the following patents and other patent(s) pending:  
US Patent 7,357,341 & US Patent 7,578,657



LR16567  
NSF 46



CERTIFIED TO  
NSF / ANSI 46



LISTED BASIN ASSEMBLY E151564 2N87  
UL1951

**BARNES**





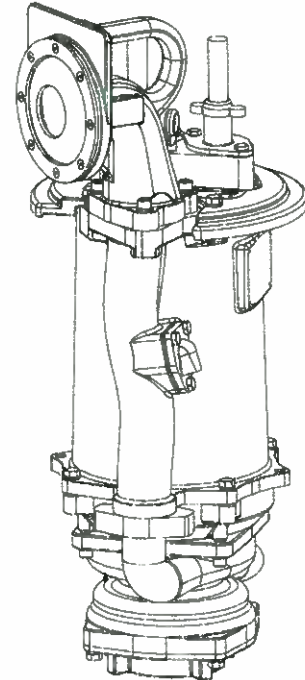
# Model OGP2022CE

Recessed Vortex, Compact Series  
For EcoTRAN System

## Submersible Grinder Pumps

### Specifications:

<b>DISCHARGE</b> .....	1 1/4", Bolt-on Moveable
<b>LIQUID TEMPERATURE</b> .....	104°F (40°C) Continuous
<b>VOLUTE</b> .....	Cast Iron ASTM A-48, Class 30
<b>MOTOR HOUSING</b> .....	Cast Iron ASTM A-48, Class 30
<b>SEAL PLATE</b> .....	Cast Iron ASTM A-48, Class 30
<b>IMPELLERS: Design</b> .....	12 Vane,Vortex, With Pump Out Vanes On Back Side. Dynamically Balanced, ISO G6.3.
<i>Material</i> .....	85-5-5-5 Bronze
<b>IMPELLER SPACER</b> .....	300 Series Stainless Steel
<b>SHREDDING RING</b> .....	Hardened 440C Stainless Steel Rockwell® C-55.
<b>CUTTER</b> .....	Hardened 440CStainless Steel, Rockwell® C-55.
<b>SHAFT</b> .....	416 Stainless Steel
<b>SQUARE RINGS</b> .....	Buna-N
<b>HARDWARE</b> .....	300 Series Stainless Steel
<b>PAINT</b> .....	Air Dry Enamel.
<b>SEAL:</b> <i>Design</i> .....	Single Mechanical
<i>Material</i> .....	Rotating Faces - Silicon-Carbide Stationary Faces - Silicon-Carbide Elastomer - Buna-N Hardware -300 Series Stainless
<b>CORD ENTRY</b> .....	15 ft. (4.5m) Std. Cord. Custom Molded Quick Connect, for Sealing and Strain Relief (Supplied with station)
<b>CORD</b> <i>Automatic</i> .....	CSA/UL Approved 12/5 Type SOW
<b>UPPER BEARING:</b>	
<i>Design</i> .....	Single Row, Angular contact Ball
<i>Lubrication</i> .....	Oil
<i>Load</i> .....	Radial & Thrust
<b>LOWER BEARING:</b>	
<i>Design</i> .....	Single Row, Angular contact Ball
<i>Lubrication</i> .....	Oil
<i>Load</i> .....	Radial & Thrust
<b>MOTOR:</b> <i>Design</i> .....	NEMAL-Single Phase Torque Curve, Oil-Filled, Squirrel Cage Induction
<i>Insulation</i> .....	Class F
<b>SINGLE PHASE</b> .....	Capacitor Start/Capacitor Run
<b>SUPPORT PLATE</b> .....	Fiberglass
<b>CHECK VALVE</b>	
<i>Body</i> .....	Cast Iron ASTM A-48, Class 30
<i>Seat</i> .....	Bronze ASTM C836
<i>Flap</i> .....	Fiber Reinforced Buna
<b>LEVEL CONTROL</b> .....	SUPPLIED IN PACKAGE SYSTEM Model ESPS-150e, Environmentally sealed pressure switch with CPVC housing, Buna diaphragm, Custom molded quick connect for sealing and strain relief



### Series: OGP2022CE 2HP, 3450RPM, 60Hz

This product may be covered by one or more of  
the following patents and other patent(s) pending:  
US Patent 7,357,341



CSA 108 - File No. LR16567,  
UL 778

### DESCRIPTION:

THE GRINDER PUMP IS DESIGNED TO  
REDUCE DOMESTIC SEWAGE TO A FINELY  
GROUND SLURRY.

# Model OGP2022CE

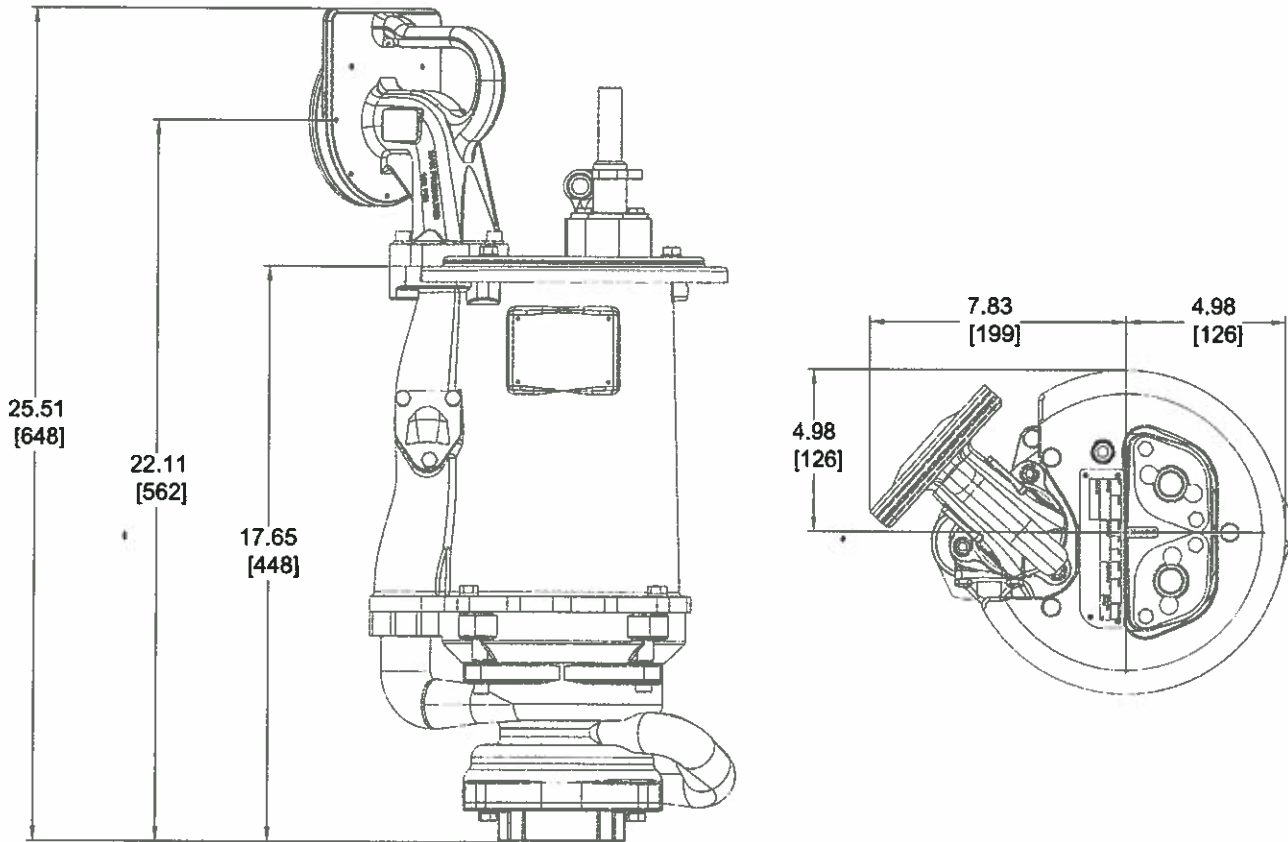
Recessed Vortex  
For Automatic Level Control



www.cranepumps.com

## Submersible Grinder Pumps

inches  
(mm)



MODEL NO	PART NO	HP	VOLT/PH	Hz	RPM (Nom)	NEMA START CODE	FULL LOAD AMPS	LOCKED ROTOR AMPS	CORD SIZE	CORD TYPE	CORD O.D. ± .02 (.5) in (mm)
OGP2022CE *	119969	2	240/1	60	3450	H	16.5	53.8	12/5	SOW	.71 (18)

(\*) ESPS Level Control Supplied in Package System

### IMPORTANT !

- 1.) PUMP MAY BE OPERATED "DRY" FOR EXTENDED PERIODS WITHOUT DAMAGE TO MOTOR AND/OR SEALS.
- 2.) THIS PUMP IS APPROPRIATE FOR THOSE APPLICATIONS SPECIFIED AS CLASS I DIVISION II HAZARDOUS LOCATIONS.
- 3.) THIS PUMP IS NOT APPROPRIATE FOR THOSE APPLICATIONS SPECIFIED AS CLASS I DIVISION I HAZARDOUS LOCATIONS.
- 4.) INSTALLATIONS SUCH AS DECORATIVE FOUNTAINS OR WATER FEATURES PROVIDED FOR VISUAL ENJOYMENT MUST BE INSTALLED IN ACCORDANCE WITH THE NATIONAL ELECTRIC CODE ANSI/NFPA 70 AND/OR THE AUTHORITY HAVING JURISDICTION. THIS PUMP IS NOT INTENDED FOR USE IN SWIMMING POOLS, RECREATIONAL WATER PARKS, OR INSTALLATIONS IN WHICH HUMAN CONTACT WITH PUMPED MEDIA IS A COMMON OCCURRENCE.

SECTION A  
PAGE 6  
DATE 12/08

**CRANE**

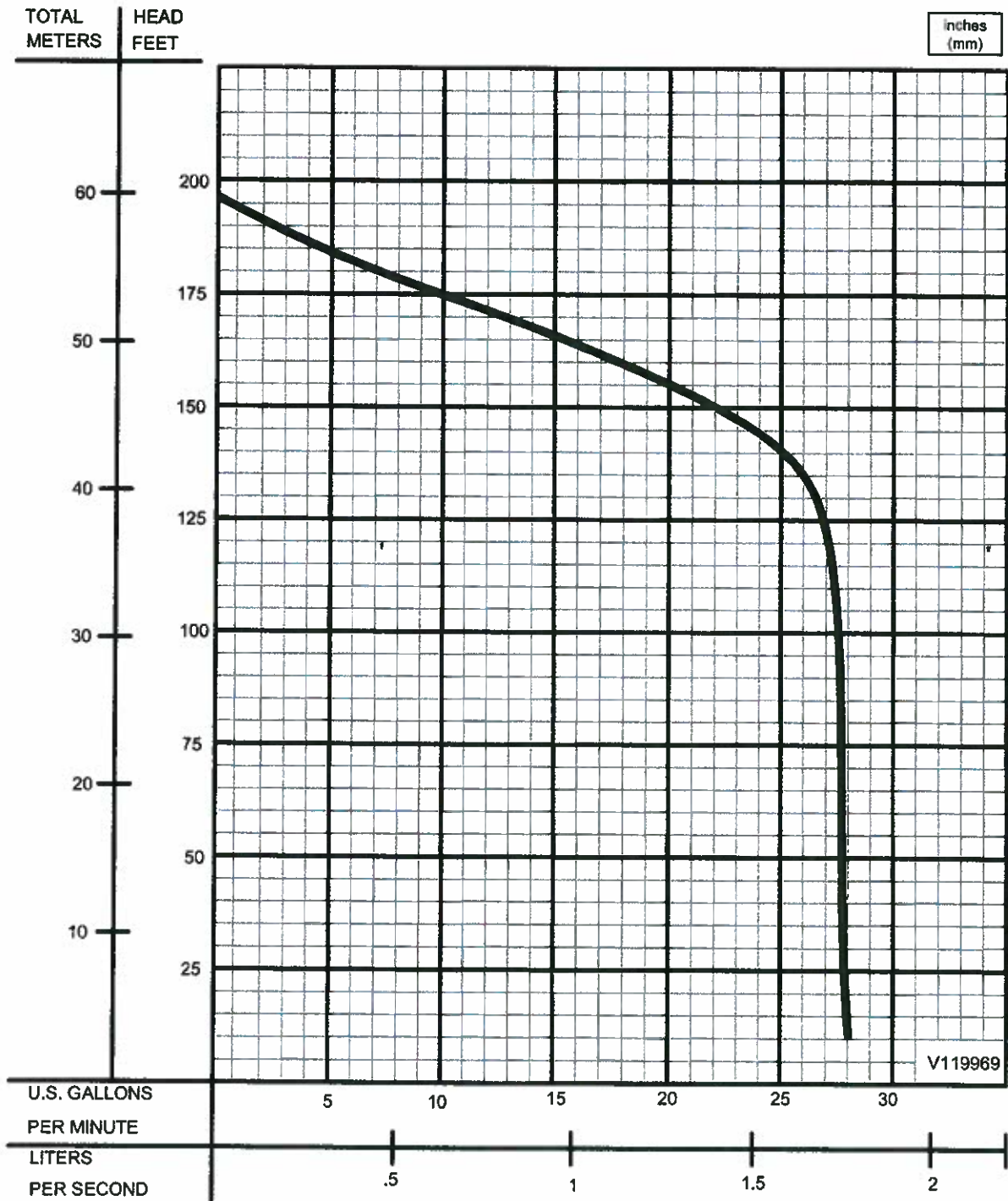
A Crane Co. Company

**PUMPS & SYSTEMS**

USA: (937) 778-8947 • Canada: (905) 457-6223 • International: (937) 615-3598



## Submersible Grinder Pumps



Performance curve includes impact of integral anti-siphon and check valve.  
Testing is performed with water, specific gravity 1.0 @ 68° F @ (20°C), other fluids may vary performance.

## Specifications:

Listed by Underwriters Laboratories, simplex pump alarm panel used with the EcoTRAN System, UltraCAP<sup>2</sup> Basin Packages, or any other station using a pump with a automatic level control.

### ~~Model 1500 P/N: 116742~~

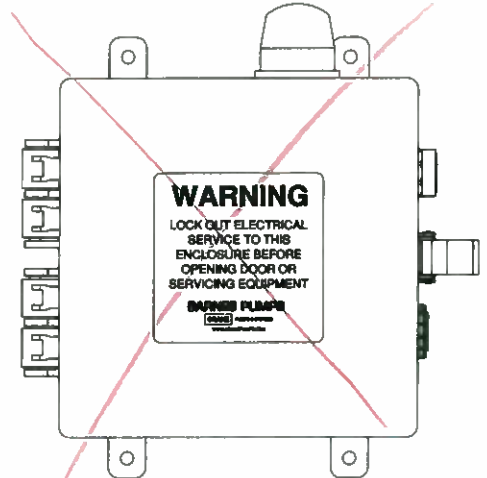
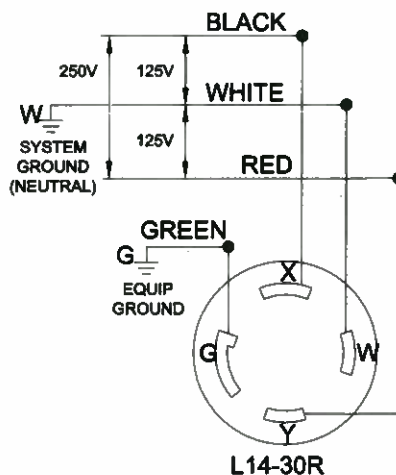
- 90 db Alarm Horn with pushbutton silence
- High Water Alarm Light
- 25 Amp pump circuit breaker and 10 Amp alarm circuit breaker
- NEMA 4X Enclosure
- Non-Metallic Enclosure
- Padlockable latch(s)
- 240 Volt single phase service

### Model 1550 P/N: 111666

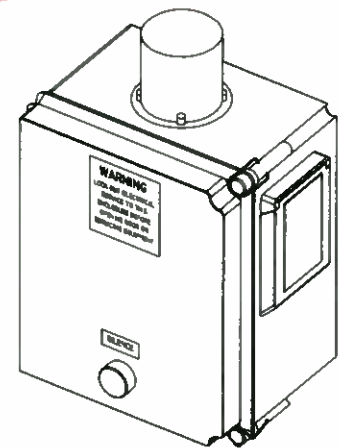
Includes the same base standard features as the 1500 series  
Also Includes:

- Generator receptacle with automatic transfer switch
- NEMA code L14-30P Flanged Locking Receptacle
- 125/250 Volt, 3 Pole, 4 Wire
- 25 Amp pump circuit breaker and 3 Amp alarm circuit breaker

**OPTIONAL EQUIPMENT.....** 30 Ft. Generator Connection Cord, 12/4 SOW cord with NEMA L14-30R Locking Connector, Factory Installed and Tested P/N: 119962XC



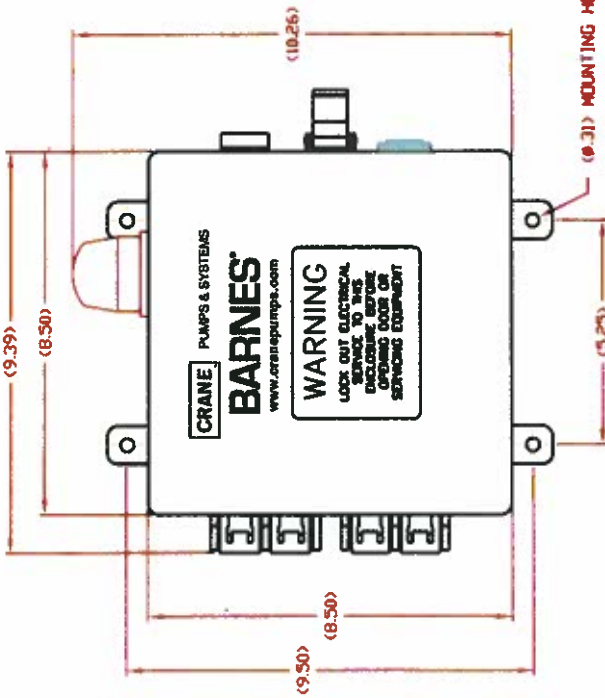
**Model: 1500**  
**Alarm/Disconnect Panel:**  
P/N: 116742



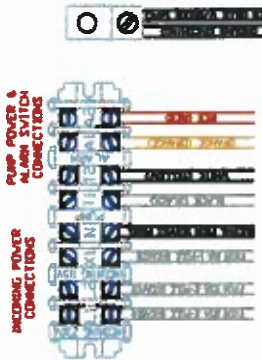
**Model: 1550**  
**Alarm/Disconnect Panel with**  
**Generator Receptacle:**  
P/N: 111666



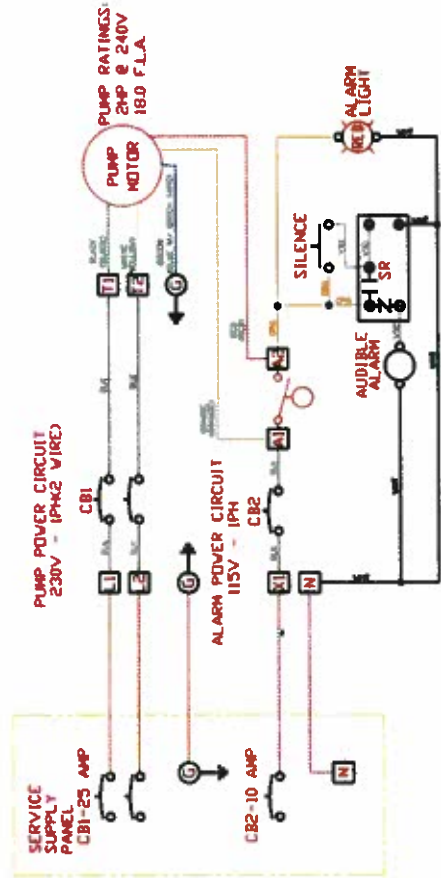
Model: 1500  
File No. E241592  
Model: 1550  
File No. LR142177



**CONNECTION DIAGRAM FOR CRANE'S 116742**



NOTE - WIRE COLORS FOR DIRECT BURIAL STYLE CABLES ARE IN PARENTHESIS ( )



- NOTES:**
1. PANEL GROUND TERMINAL MUST BE CONNECTED TO EARTH GROUND
  2. FACTORY WIRING IS SHOWN
  3. COMPLETE ELECTRICAL ASSEMBLY WILL BE CONSTRUCTED AND LABELED TO CONFORM TO UNDERWRITERS LABORATORIES (U.L. 508A) PROCEDURES.

THIS DRAWING IS APPROVED FOR UNCONTROLLED DISTRIBUTION AS A RESULT OF BARNES CONSTANT PRODUCT IMPROVEMENT PROGRAM, PRODUCT CHANGES MAY OCCUR. AS SUCH, BARNES RESERVES THE RIGHT TO CHANGE PRODUCT WITHOUT PRIOR WRITTEN NOTIFICATION WWW.BARNES-PS.COM SHEET 1 OF 1		TITLE <b>PANEL, ALARM, 1500 SERIES</b>		DWG NO <b>CD116742</b>	REV <b>D</b>	PART NO <b>CRANE</b>	PRODUCT LINE <b>PUMPS &amp; SYSTEMS</b>
THIS PRINT IS AND CONTAINS PROPRIETARY INFORMATION OWNED EXCLUSIVELY BY CRANE PUMPS & SYSTEMS, INC. THIS RESTRICTION INCLUDES, BUT IS NOT LIMITED TO THE CONDITION THAT THIS PRINT WILL ONLY BE USED AS A RECORD OR TO IDENTIFY OR INSPECT PARTS OR FOR OTHER INFORMATION PURPOSES, AND WILL NOT BE USED TO MANUFACTURE OR PROCURE THE MANUFACTURE OF THE PARTS SHOWN IN THIS PRINT BY ANY OTHER SOURCE THAN CRANE PUMPS & SYSTEMS, INC.		CAGE NO <b>96046</b>					